

A detailed wireframe illustration of a truck's front and side profile, rendered in a vibrant green color. The truck is shown from a three-quarter front view, highlighting the grille, headlights, and the driver's cab. The background is a dark green gradient with a pattern of small, glowing green dots.

EN

ECO-MUNICIPALITY S E C T O R

**Power take offs
Pumps
Cylinders
Valves
Components**



Garbage



Sewer

Complete System Solutions for Eco-Municipality Applications



Road Sweeper



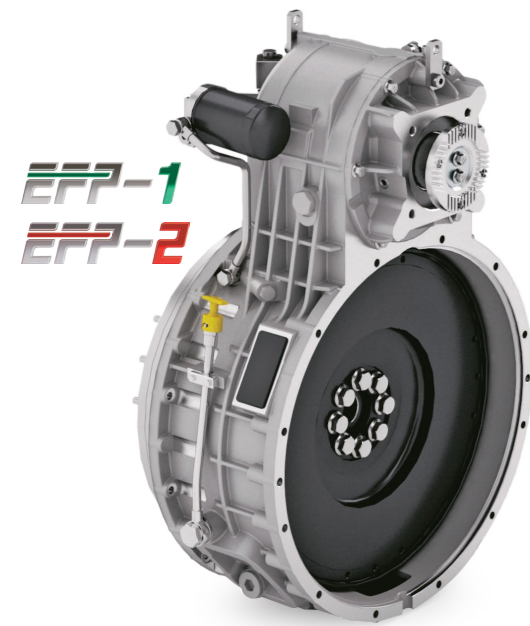
Garbage

Interpump Hydraulics, with over 70 years history, is a global market leader in the development, production and distribution of a complete range of technological solutions for efficient environmental management.

Power Take-Offs, Pumps, Cylinders and Hydraulic Components: quality, efficiency and reliability are features of each of our products.

A multidisciplinary, specialist team is always on the front line, studying new solutions to the emerging needs of our customers, working towards continuous improvement with special consideration for the sustainability and environmental protection.

Power Take Offs

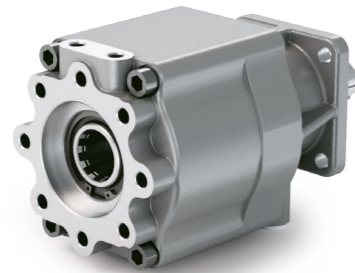


Engine Flywheel (Sandwich) PTOs

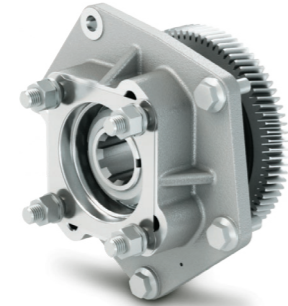
Interpump Hydraulics manufactures a wide range of PTOs, Engine Flywheel PTOs, Split Shaft PTOs and rear and side mounted PTOs.

Highlighted

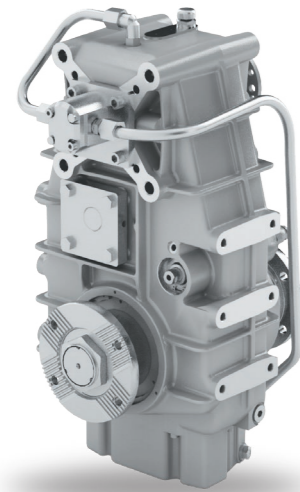
Engine Flywheel PTOs (EFP), as well as Split Shaft PTOs, are perfectly suited for heavy duty applications, such as sewer cleaners and vacuum trucks. Primary and Compound PTOs for ZF Powerline gearboxes are tested in cooperation with ZF, both have a compact design to better fit chassis constraints and are ideal for all medium vehicles. Hot-Shift-Clutch PTOs 17 Series for automatic Allison gearboxes are available in four variants (clutch output, constant drive, silent design and active drag dynamic brake) and are ideal for heavy vehicles.



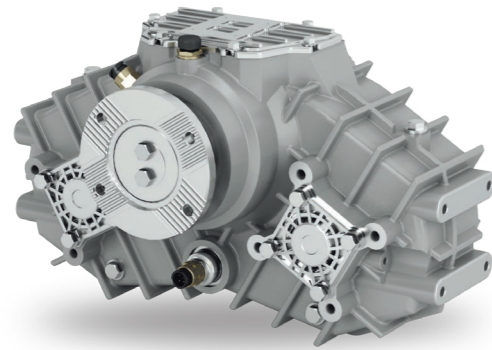
Independent Clutch Engage System



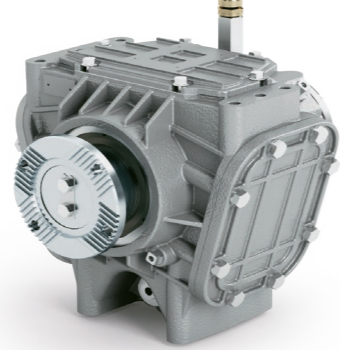
Engine PTOs



Vertical Split Shaft PTOs, MD HD Trucks



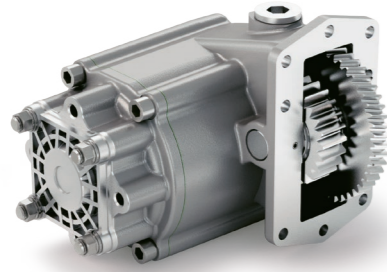
Horizontal Split Shaft PTOs, MD HD Trucks



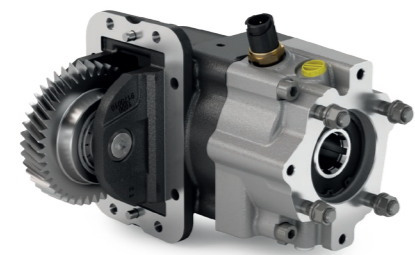
Combo Split Shaft PTOs, "V" Shape




Double output PTOs

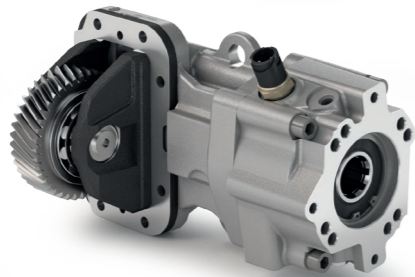


Hot-Shift Clutch PTOs



Primary PTOs for ZF Powerline 8 AP

tested in cooperation with 



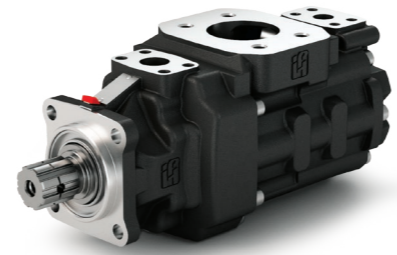
Compound PTOs for ZF Powerline 8 AP

Hydraulic pumps

Interpump Hydraulics has a wide product portfolio of hydraulic gear, piston and vane pumps.

Highlighted

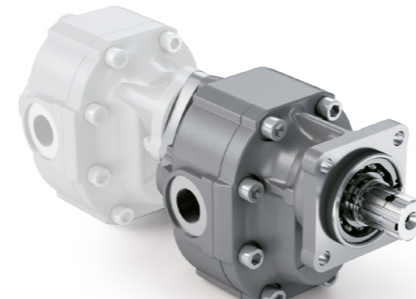
Vane Pumps have been designed to meet the needs of noise reduction and compactness. Available in a wide variety of configurations and characterized by high efficiency and easy cartridge replacement, they are ideal for garbage compactors on endothermic as well as electrified trucks.



VCC Vane Pumps



VDC Vane Pumps



Tandem Gear Pumps



FOX SAE Bidirectional Piston Motors



FXG (FOX) Bent Axis Piston Pumps with By-Pass Valve DEPg



OPTIMUM SAE B Bidirectional Gear Motors

Cylinders for Sewers

Interpump Hydraulics develops and produces single acting telescopic cylinders for sewer cleaners.

Single acting telescopic cylinders with double acting piston rod are also available on demand.

Quality
Reliability

Cylinders for Garbage Compactors

Interpump Hydraulics is specialized in the design and production of a wide and complete range of double acting telescopic cylinders for all types of compactors: rear, front, side and semi-trailer loaders. Inner main ejector cylinders are also a flagship product that makes Interpump Hydraulics the only partner for all compactor cylinders.

Selected by the main European Manufacturers



Flexibility
Sustainability

Cylinders for Road Sweeping

Available in multiple types for different sweeper applications, Interpump Hydraulics telescopic cylinders are available as single acting standard design as well as customized, according to customers need.



Performing tools for efficient Environmental Management

Headquarters

Interpump Hydraulics SpA
Via A. Mingozzi, 6
40012 Calderara di Reno (BO) - Italy
Ph: +39 051 6460511

 info@iph.it

 iph.it



A member of



Worldwide network

Australia

Newcastle
Ph: +61 241 1300 30 30 10
info@megapacific.com.au
www.megapacific.com.au

Germany

Meinerzhagen
Ph: +49 2354 70885-0
info@ifs-germany.de
www.interpumpfluidsolutions.com/de/

South Africa

Johannesburg
Ph: +27 011 824 5494
sales@interpumpsouthafrica.co.za
www.interpumpsouthafrica.co.za

Brazil

Caxias do Sul / RS
Ph: +55 054 3289 7000
interpump@interpump.com.br
www.interpump.com.br

India

Hosur
Ph: +91 7397 734 701
info@interpumphydraulicsindia.com
www.iphindia.co.in

UAE

Warehouse No. RA08SD03
Jabel Ali - Dubai
P.O.Box 261466
info@interpump.ae
www.interpump.ae

Chile

Santiago de Chile
Ph: +56 2 29633870
contacto@hydrocar.cl
www.hydrocar.cl

New Zealand

Mount Maunganui
Ph: +64 7 928 7722
sales@megapacific.co.nz
www.megapacific.co.nz

UK

Kidderminster DY10 2RN
Ph: +44 01384 292861
hydraulics@interpumpfluidsolutions.co.uk
www.interpumpfluidsolutions.com/uk

China

Wuxi
Ph: +86 0510 85360595
xs@interpump.net.cn
www.iph.net.cn

Peru

Lima
Ph: +51 1 3434231
contacto@iph.pe
www.hydrocar.pe

USA

Muncie
Ph: +1 765-284-7721
www.munciepower.com/contact
www.munciepower.com

France

Paris
Ph: +33 (0)1.60.62.56.56
commercial@iphfrance.fr
www.iph.it

Russia

Moscow
Ph: +7 495 7804083
info@iph-rus.ru
www.iph-rus.ru