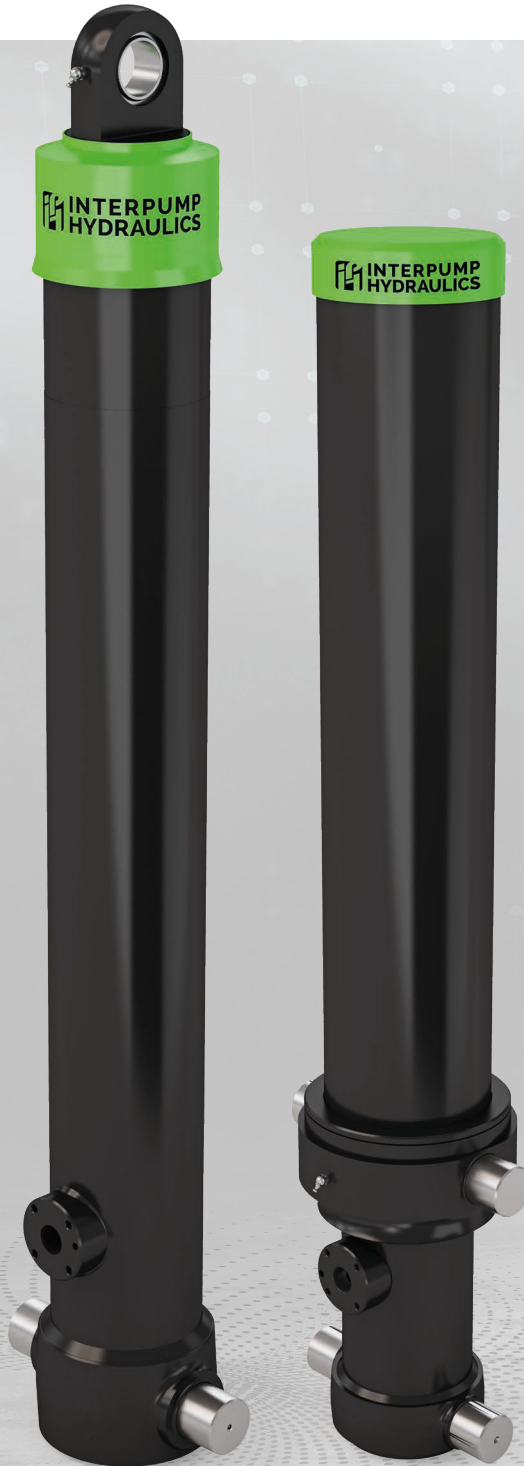


FRONT END  
CYLINDERS

# Series 5

**RELIABLE  
WITH STRENGTH**



# WHO WE ARE

**Interpump Hydraulics** is a Global Company working in the Hydraulic Sector through associated Companies in Italy and around the world.

Part of the Interpump Group S.p.A. since 1997, Interpump Hydraulics is the result of over 70 years experience in the design and production of high-quality products and it's now one of the main worldwide players for cylinders, pumps, power take-offs (PTOs) and other hydraulic components for Truck applications.

An excellent customer experience represents the focus of every activity at Interpump Hydraulics. Customer satisfaction is the best certification of business success.

Interpump Hydraulics consists of historical brands including **H.S. Penta**, which has acquired decades of experience in the design and production of cylinders.

Reliability, quality and safety are features of the whole range of IPH cylinders, guaranteeing that they are able to operate in all heavy-duty conditions.



# The NEW Concept of HEAVY DUTY



## FRONT END CYLINDERS for rigid tippers and semi-trailers

Wide range  
from 5 to 100 tons

Working pressures  
up to 250 bar

Enhanced sliders and wipers  
design for extended lifetime

Easy to service,  
low maintenance design

Light weight design for  
heavy duty application  
and faster tipping cycle

Chrome plated piston rod  
> longer seal lifetime

Low maintenance  
> extended service intervals

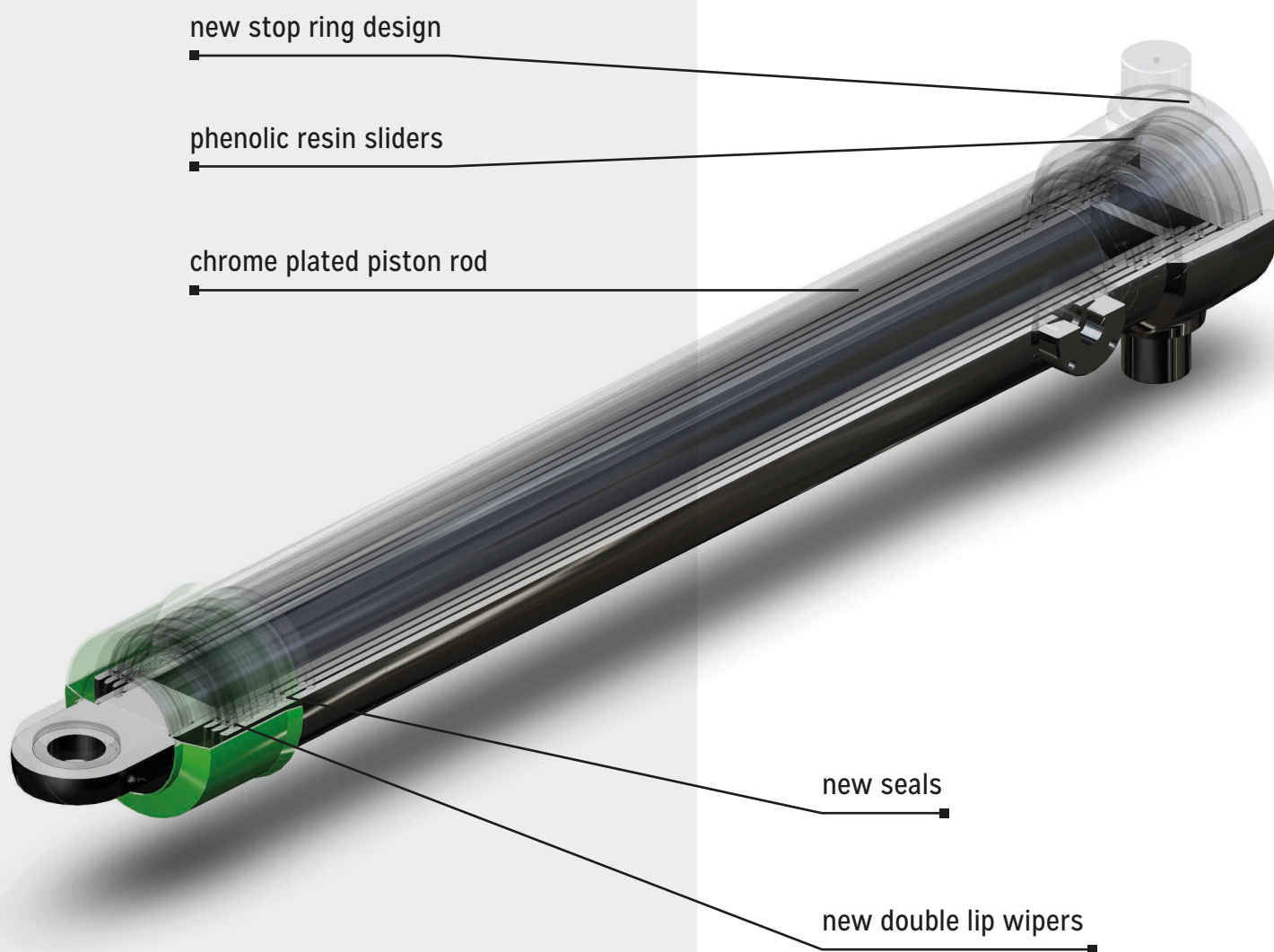
Environmental friendly  
> fuel and oil usage  
reduction thanks to reduced  
working cycle

All season design  
> best performance in every  
climate

## BENEFITS

# RELIABILITY AT EVERY STAGE

Safety  
Strength  
Stability  
Stiffness  
**Series 5**



# MAIN APPLICATIONS

## OFF-ROAD & MINING

Series 5 Front End Cylinders are designed to suit two, three, four and five axle tippers and to operate in the heaviest of conditions. IPH Wet kits complete the portfolio to offer the highest customer satisfaction.



## ON HIGHWAY TRANSPORTATION

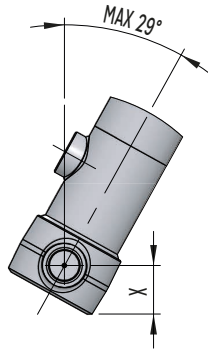
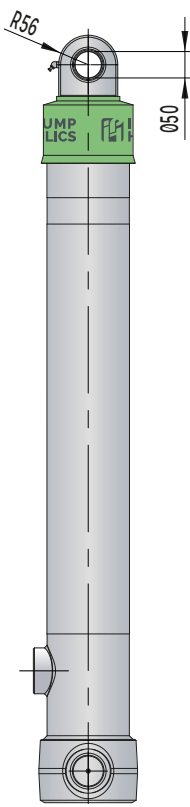
Series 5 Front End Cylinders, designed for semi-trailers, assure the upmost reliability on the highway. More weight per load will improve customer business profitability.



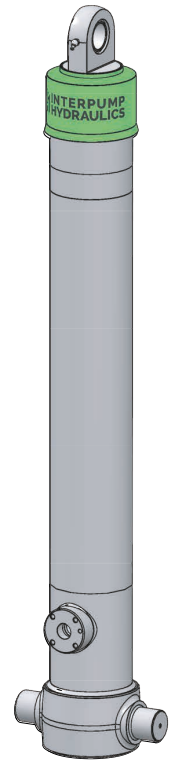
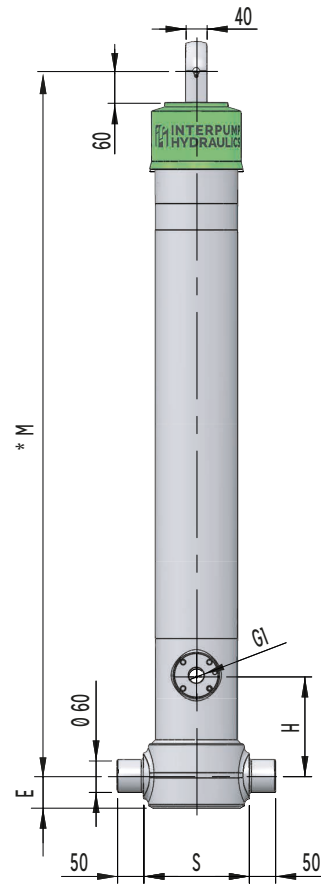
## CONSTRUCTION

Series 5 Front End Cylinders guarantee the highest performance off-road: increased stability for higher productivity with enhanced safety.





\* including 20 mm pull-out



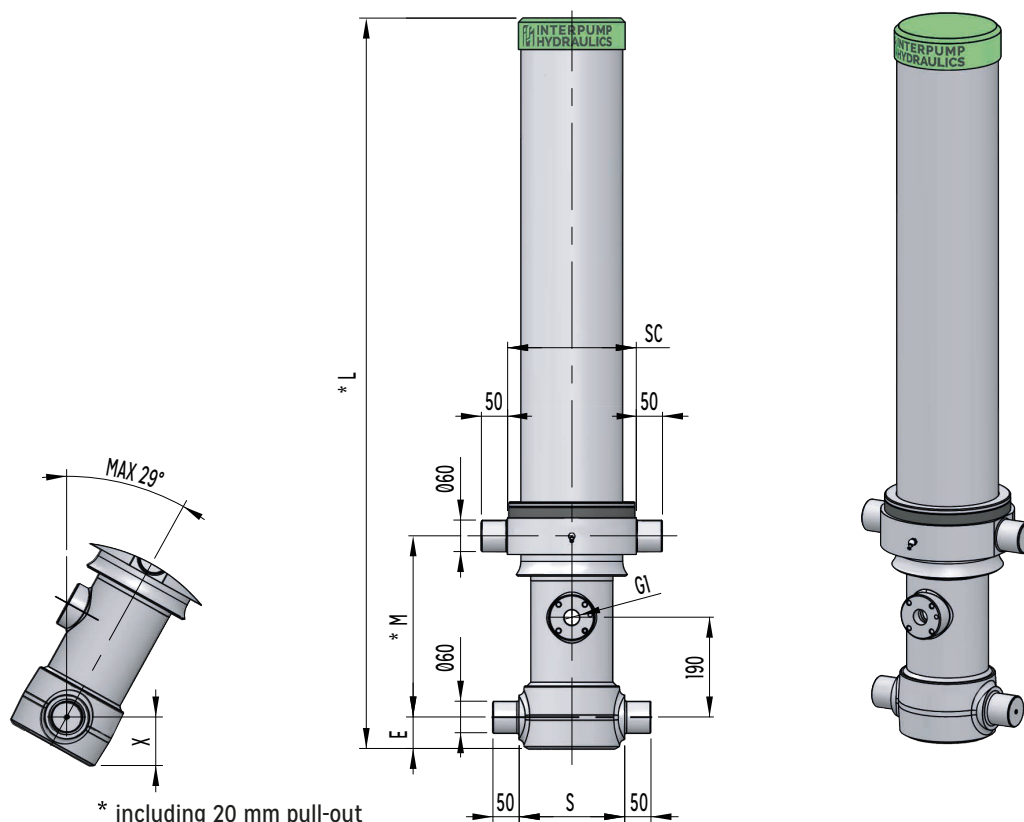
### Main Features

Mod.	Code	Description	Diameter	Number of stages	Stroke	Tipping weight [ton]	Max pressure [bar]	Weight [kg]	Oil [lt]	M [mm]	H [mm]	E [mm]	X [mm]	S [mm]
5F 116	5FI370116301AN	5F-03450-116-3-M1460-0000N	116	3	3.450	22 - 45	250	118	26	1.460	190	60	88	163
	5FI610116301AN	5F-04010-116-3-M1700-0000N	116	3	4.010	22 - 45	250	136	31	1.700	190	60	88	163
5F 135	5FI245135301AN	5F-03080-135-3-M1339-0000N	135	3	3.080	32 - 64	250	134	33	1.339	190	60	92	201
	5FI370135301AN	5F-03450-135-3-M1464-0000N	135	3	3.450	32 - 64	250	146	37	1.464	190	60	92	201
	5FI515135301AN	5F-03720-135-3-M1609-0000N	135	3	3.720	32 - 64	250	160	40	1.609	190	60	92	201
	5FI685135301AN	5F-04230-135-3-M1779-0000N	135	3	3.720	32 - 64	250	174	48	1.779	190	60	92	201
	5FI155135401AN	5F-03740-135-4-M1249-0000N	135	4	3.740	26 - 53	250	138	35	1.249	190	60	92	201
	5FI300135401AN	5F-04320-135-4-M1394-0000N	135	4	4.320	26 - 53	250	152	40	1.394	190	60	92	201
	5FI440135401AN	5F-04880-135-4-M1534-0000N	135	4	4.880	26 - 53	250	166	45	1.534	190	60	92	201
5F 154	5FI245154401AN	5F-04090-154-4-M1336-0000N	154	4	4.090	37 - 74	250	176	52	1.336	190	65	102	201
	5FI300154401AN	5F-04310-154-4-M1391-0000N	154	4	4.310	37 - 74	250	182	55	1.391	190	65	102	201
	5FI370154401AN	5F-04590-154-4-M1461-0000N	154	4	4.590	37 - 74	250	192	58	1.461	190	65	102	201
	5FI125154501AN	5F-04520-154-5-M1216-0000N	154	5	4.520	31 - 62	250	172	50	1.216	190	65	102	201
	5FI155154501AN	5F-04670-154-5-M1246-0000N	154	5	4.670	31 - 62	250	176	52	1.246	190	65	102	201
5F 174	5FI300174501AN	5F-05380-174-5-M1393-0000N	174	5	5.380	42 - 85	250	238	80	1.393	400	65	106	245
	5FI335174501AN	5F-05560-174-5-M1428-0000N	174	5	5.560	42 - 85	250	244	83	1.428	400	65	106	245
	5FI370174501AN	5F-05730-174-5-M1463-0000N	174	5	5.730	42 - 85	250	250	85	1.463	400	65	106	245
	5FI440174501AN	5F-06080-174-5-M1533-0000N	174	5	6.080	42 - 85	250	260	91	1.533	400	65	106	245
	5FI610174501AN	5F-06660-174-5-M1703-0000N	174	5	6.660	42 - 85	250	288	99	1.703	400	65	106	245
	5FI685174501AN	5F-07030-174-5-M1778-0000N	174	5	7.030	42 - 85	250	300	105	1.778	400	65	106	245
	5FI815174501AN	5F-07680-174-5-M1908-0000N	174	5	7.680	42 - 85	190	322	115	1.908	400	65	106	245
	5FI885174501AN	5F-08030-174-5-M1978-0000N	174	5	8.030	42 - 85	190	332	120	1.978	400	65	106	245
5F 196	5FI440196501AN	5F-06070-196-5-M1533-0000N	196	5	6.070	56 - 98	220	312	118	1.533	400	70	116	245
	5FI610196501AN	5F-06650-196-5-M1703-0000N	196	5	6.650	56 - 98	220	344	129	1.703	400	70	116	245
	5FI685196501AN	5F-07020-196-5-M1778-0000N	196	5	7.020	56 - 98	220	360	137	1.778	400	70	116	245
	5FI885196501AN	5F-08020-196-5-M1978-0000N	196	5	8.020	56 - 98	220	398	156	1.978	400	70	116	245
	5FI335196601AN	5F-06660-196-6-M1428-0000N	196	6	6.660	48 - 85	220	306	116	1.428	400	70	116	245

IPH reserves the right to modify the technical data listed without notice, the aforementioned data are not binding.

# Series 5

## 5C



### Main Features

Mod.	Code	Description	Diameter	Number of stages	Stroke	Tipping weight [ton]	Max pressure [bar]	Weight [kg]	Oil [lt]	M [mm]	L [mm]	E [mm]	X [mm]	S [mm]	SC [mm]
5C 135	5C124513530IAN	5C-03070-135-3-M0345-0000N	135	3	3070	32 - 64	250	166	33	345	1391	60	92	201	245
	5C137013530IAN	5C-03450-135-3-M0345-0000N	135	3	3450	32 - 64	250	180	37	345	1516	60	92	201	245
	5C151513530IAN	5C-03720-135-3-M0345-0000N	135	3	3720	32 - 64	250	196	40	345	1661	60	92	201	245
	5C168513530IAN	5C-04230-135-3-M0345-0000N	135	3	4230	32 - 64	250	216	48	345	1831	60	92	201	245
	5C107013540IAN	5C-03400-135-4-M0345-0000N	135	4	3400	26 - 53	250	160	32	345	1216	60	92	201	245
	5C124513540IAN	5C-04100-135-4-M0345-0000N	135	4	4100	26 - 53	250	180	38	345	1391	60	92	201	245
	5C130013540IAN	5C-04320-135-4-M0345-0000N	135	4	4320	26 - 53	250	186	40	345	1446	60	92	201	245
	5C133513540IAN	5C-04460-135-4-M0345-0000N	135	4	4460	26 - 53	250	192	41	345	1481	60	92	201	245
	5C137013540IAN	5C-04600-135-4-M0345-0000N	135	4	4600	26 - 53	250	196	43	345	1516	60	92	201	245
	5C144013540IAN	5C-04880-135-4-M0345-0000N	135	4	4880	26 - 53	250	204	45	345	1586	60	92	201	245
	5C161013540IAN	5C-05340-135-4-M0345-0000N	135	4	5340	26 - 53	250	220	50	345	1756	60	92	201	245
5C 154	5C130015440IAN	5C-04310-154-4-M0345-0000M	154	4	4310	37 - 74	250	244	55	345	1450	65	102	201	310
	5C137015440IAN	5C-04590-154-4-M0345-0000N	154	4	4590	37 - 74	250	254	58	345	1520	65	102	201	310
	5C151515440IAN	5C-04950-154-4-M0345-0000N	154	4	4950	37 - 74	250	272	63	345	1665	65	102	201	310
	5C130015450IAN	5C-05390-154-5-M0345-0000N	154	5	5390	31 - 62	250	258	60	345	1450	65	102	201	310
5C 174	5C137017450IAN	5C-05730-174-5-M0345-0000N	174	5	5730	42 - 85	250	320	85	345	1526	65	106	245	325
	5C144017450IAN	5C-06080-174-5-M0345-0000N	174	5	6080	42 - 85	250	334	91	345	1596	65	106	245	325
	5C151517450IAN	5C-06180-174-5-M0345-0000N	174	5	6180	42 - 85	250	348	92	345	1671	65	106	245	325
	5C161017450IAN	5C-06660-174-5-M0345-0000N	174	5	6660	42 - 85	250	366	99	345	1766	65	106	245	325
	5C168517450IAN	5C-07030-174-5-M0345-0000N	174	5	7030	42 - 85	250	382	105	345	1841	65	106	245	325
	5C181517450IAN	5C-07680-174-5-M0345-0000N	174	5	7680	42 - 85	250	406	115	345	1971	65	106	245	325
	5C188517450IAN	5C-08030-174-5-M0345-0000N	174	5	8030	42 - 85	250	422	120	345	2041	65	106	245	325
	5C209017450IAN	5C-08960-174-5-M0345-0000N	174	5	8960	42 - 85	250	458	134	345	2246	65	106	245	325
5C 196	5C144019650IAN	5C-06070-196-5-M0345-0000N	196	5	6070	56 - 98	220	398	118	345	1610	70	116	245	355
	5C151519650IAN	5C-06170-196-5-M0345-0000N	196	5	6170	56 - 98	220	414	120	345	1685	70	116	245	355
	5C161019650IAN	5C-06650-196-5-M0345-0000N	196	5	6650	56 - 98	220	436	129	345	1780	70	116	245	355
	5C168519650IAN	5C-07020-196-5-M0345-0000N	196	5	7020	56 - 98	220	452	137	345	1855	70	116	245	355
	5C181519650IAN	5C-07670-196-5-M0345-0000N	196	5	7670	56 - 98	220	482	150	345	1985	70	116	245	355
	5C188519650IAN	5C-08020-196-5-M0345-0000N	196	5	8020	56 - 98	220	504	156	345	2055	70	116	245	355
	5C209019650IAN	5C-08950-196-5-M0345-0000N	196	5	8950	56 - 98	220	544	174	345	2260	70	116	245	355
	5C133519660IAN	5C-06660-196-6-M0345-0000N	196	6	6660	48 - 85	220	390	116	345	1505	70	116	245	355
	5C181519660IAN	5C-08700-196-6-M0345-0000N	196	6	8700	48 - 85	220	506	157	345	1985	70	116	245	355

For fully chromed stages version, the part number end digits must be "CN".


## FRONT END - OUTER COVER

IPH reserves the right to modify the technical data listed without notice, the aforementioned data are not binding.

## Headquarters

Interpump Hydraulics SpA  
Via A. Mingozzi, 6  
40012 Calderara di Reno (BO) - Italy

Ph: +39 051 6460511

 [info@iph.it](mailto:info@iph.it)

 [iph.it](http://iph.it)



A member of



## Worldwide network

### Australia

Newcastle  
Australia Wide: Ph: 1300 30 30 10  
Overseas Callers: Ph: +61 2 4960 1888  
[info@megapacific.com.au](mailto:info@megapacific.com.au)  
[www.megapacific.com.au](http://www.megapacific.com.au)

### Germany

Meinerzhagen  
Ph: +49 2354 70885-0  
[info@ifs-germany.de](mailto:info@ifs-germany.de)  
[www.interpumpfluidsolutions.com/de/](http://www.interpumpfluidsolutions.com/de/)

### South Africa

Johannesburg  
Ph: +27 011 824 5494  
[sales@interpumpsouthafrica.co.za](mailto:sales@interpumpsouthafrica.co.za)  
[www.interpumpsouthafrica.co.za](http://www.interpumpsouthafrica.co.za)

### Brazil

Caxias do Sul / RS  
Ph: +55 054 3289 7000  
[interpump@interpump.com.br](mailto:interpump@interpump.com.br)  
[www.interpump.com.br](http://www.interpump.com.br)

### India

Hosur  
Ph: +91 7397 734 701  
[info@interpumphydraulicsindia.com](mailto:info@interpumphydraulicsindia.com)  
[www.iphindia.co.in](http://www.iphindia.co.in)

### UAE

Warehouse No. RA08SD03  
Jabel Ali - Dubai  
P.O.Box 261466  
[info@interpump.ae](mailto:info@interpump.ae)  
[www.interpump.ae](http://www.interpump.ae)

### Chile

Santiago de Chile  
Ph: +56 2 29633870  
[contacto@hydrocar.cl](mailto:contacto@hydrocar.cl)  
[www.hydrocar.cl](http://www.hydrocar.cl)

### New Zealand

Mount Maunganui  
Ph: +64 7 928 7722  
[sales@megapacific.co.nz](mailto:sales@megapacific.co.nz)  
[www.megapacific.co.nz](http://www.megapacific.co.nz)

### UK

Kidderminster DY10 2RN  
Ph: +44 01384 292861  
[hydraulics@interpumpfluidsolutions.co.uk](mailto:hydraulics@interpumpfluidsolutions.co.uk)  
[www.interpumpfluidsolutions.com/uk](http://www.interpumpfluidsolutions.com/uk)

### China

Wuxi  
Ph: +86 0510 85360595  
[xs@interpump.net.cn](mailto:xs@interpump.net.cn)  
[www.iph.net.cn](http://www.iph.net.cn)

### Peru

Lima  
Ph: +51 1 3434231  
[contacto@iph.pe](mailto:contacto@iph.pe)  
[www.hydrocar.pe](http://www.hydrocar.pe)

### USA

Muncie  
Ph: +1 765-284-7721  
[www.munciepower.com/contact](http://www.munciepower.com/contact)  
[www.munciepower.com](http://www.munciepower.com)

### France

Paris  
Ph: +33 (0)1.60.62.56.56  
[commercial@iphfrance.fr](mailto:commercial@iphfrance.fr)  
[www.iph.it](http://www.iph.it)

### Russia

Moscow  
Ph: +7 495 7804083  
[info@iph-rus.ru](mailto:info@iph-rus.ru)  
[www.iph-rus.ru](http://www.iph-rus.ru)